

SPECIFICATION FOR APPROVAL
Switching power Supply

CUSTOMER: _____

DESCRIPTION: Input:220V ~60Hz Output: DC 12V5A

OUR MODEL NO: BSG-60W1205000

SAMPLE NO: _____ **DATE:** 2022.06.10

SAMPLE COLOR:Black White

APPROVAL SIGNATURE		
/APPROVED BY	CHECKED BY	TESTED BY

Manufacturer		
/SALES	/APPROVED BY	/DESIGNED BY

ICbanQ Inc.

Tel:82-070-7019-3947 Email:Tommy@icbanq.com

Our model:BSG-60W1205000

Customer:

Date:2022.06.10

SAMPLE No:

Rev. List			
Rev.	Date	Description	Design
v1.0	2022.06.10		

Table of contents

1、 DESCRIPTION.....	3
2、 INPUT CHARACTERISTICS	3
3、 OUTPUT CHARACTERISTICS.....	4-5
4、 PROTECTION FUNCTION.....	5
5、 ENVIRONMENTAL REQUIREMET.....	5-6
6、 SAFETY AND EMC REQUIREMENT.....	6
7、 MECHANICAL REQUIREMENT.....	7
8、 CORD	8
9、 LABEL.....	9
10、 PACKING.....	10

ICbanQ Inc.

Tel:82-070-7019-3947 Email:Tommy@icbanq.com

Our model:BSG-60W1205000

Customer:

Date:2022.06.10

SAMPLE No:

1、 DESCRIPTION:

The purpose of the document is to specify the functional requirements of a 60W switching power supply.

2、 INPUT CHARACTERISTICS:

2.1 Input Voltage:

Rated Voltage:220Vac

Variation Range:90-264Vac

2.2INPUT FREQUENCY:

Rated Frequency: 50/60Hz.

Variation Frequency:47-63Hz

2.3INPUT CURRENT:

0.5Amps max At any input voltage and rated, DC output rated load.

2.4INRUSH CURRENT:

30 Amps Max. Cold start at 240Vac input, with rated load and 25°C ambient.

2.5 AC LEAKAGE CURRENT

0.25mA Max.At240Vac input.

ICbanQ Inc.

Tel:82-070-7019-3947 Email:Tommy@icbanq.com

Our model:BSG-60W1205000

Customer:

Date:2022.06.10

SAMPLE No:

3、OUTPUT CHARACTERISTICS:

3.1 Power output

Voltage	Min. Load	Rated. Load	Peak	Output power
12Vdc	0.00A	5A	90W	60W

3.2 Combined Load/Line Regulation

Voltage	Min. Load	Rated. Load	Line Regulation	Voitage range
12Vdc	0.00A	5A	±5%	11.4V-12.6V

3.3 Ripple and Noise:

Under nominal voltage and nominal load,the ripple and noise are as follows when measure with Max.Bandwidth of 20MHz and Parallel 47uF/0.1uF,crossed connected at testing point.

Voltage Ripple and Noise(Max.)

+12Vdc

200mV p-p

3.4 Turn on delay time:

3Second Max.at 115Vac input and output Max.load.

3.5 Rise time:

40 mS Max.at 115Vac input and output Max load.

3.6 Hold up time:

5 mS Min.at 115Vac input and output Max.Load.

3.7 Average Effiviency

Average Effiviency 87%Min, At 115/230Vac input and output 100%Load 75%Load 50%Load 25%Load.

ICbanQ Inc.

Tel:82-070-7019-3947 Email:Tommy@icbanq.com

Our model:BSG-60W1205000

Customer:

Date:2022.06.10

SAMPLE No:

4、PROTECTION FUNCTION:

4.1 Short circuit test:

The power supply will be auto recovered when short circuit faults remove.

4.2Over current Protection:

The power supply will be auto recovered when over current faults remove.

4.3Over Voltage Protection:

The power supply will auto recovered when faults remove 120%~170%.

5、ENVIRONMENTAL REQUIREMET:

5.1 Operating Temperature:

0°C to 40°C,Full load, Normal operation.

5.2 Storage Temperature:-20°C to 80°C

With package

5.3 Relative Humidity:

5%(0°C)~90%(40°C)RH,72Hrs,Full load, Normal operating.

5.4 Vibration:

1. Operating: IEC 721-3-3 3M3

5~9Hz,A=1.5mm

(9~200Hz,Acceleration 5m/S²)

2. Transportation:

IEC 721-3-2 2M2

5-9Hz,A=3.5mm

9~200Hz,Acceleration=5m/S²

200~500Hz,Acceleration=15m/S²

ICbanQ Inc.

Tel:82-070-7019-3947 Email:Tommy@icbanq.com

Our model:BSG-60W1205000

Customer:

Date:2022.06.10

SAMPLE No:

3. Axes,10 cycles per axis.

No permanent damage may occur during testing.

The SAMPLE has to restore to its original situation after power off/on..

5.5 Dropping Packed:

1M for wallmount type and 760mm for desktop type as above described.

The horizontal surface consists of hardwood at least 13mm thick, mounted on two layers of plywood

each 19mm to 20mm thick,all supported on a concrete or equivalent non-resilient floor.

6、SAFETY REQUIREMENT:

6.1 Safety:KC K 60950-1 (2011-12)

6.2 DIELECTRIC STRENGTH Hi-Pot:

Primary to secondary:3000Vac10mA/3S for type test.

6.3 Insulation resistance:

Primary to secondary:10M Ω min at 500V DC.

6.4 EMI STANDARD

<1>.Fcc part15 class B rules

ICbanQ Inc.

Tel:82-070-7019-3947 Email:Tommy@icbanq.com

Our model:BSG-60W1205000

Customer:

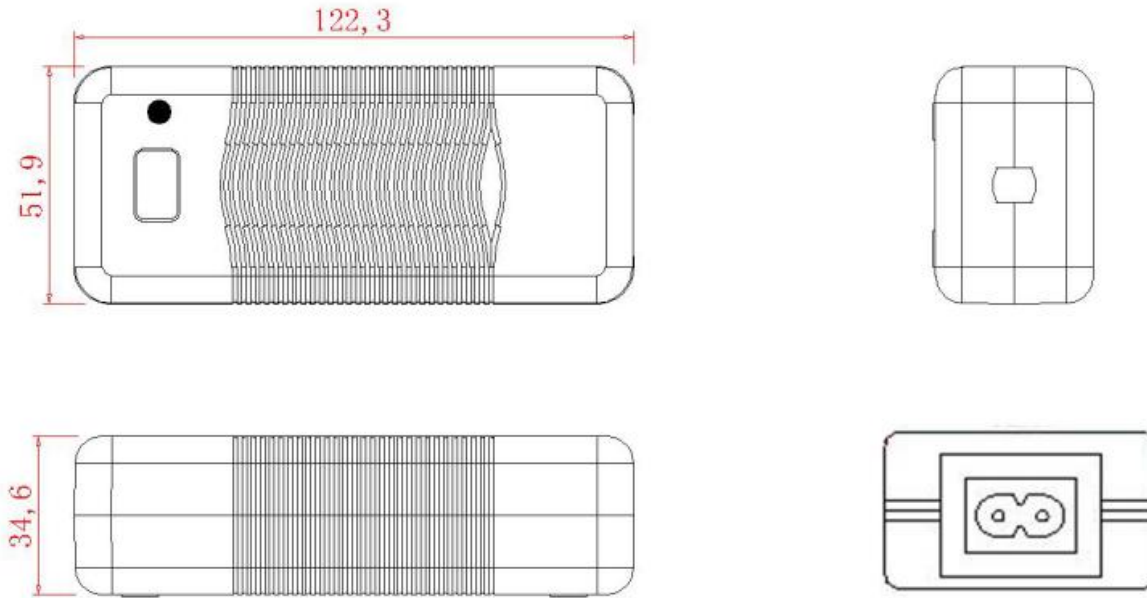
Date:2022.06.10

SAMPLE No:

7、 MECHANICAL REQUIREMENT:

7.1 Enclosure:

The power supply size: : L122.3*W51.9* H34.6mm;



ICbanQ Inc.

Tel:82-070-7019-3947 Email:Tommy@icbanq.com

Our model:BSG-60W1205000

Customer:

Date:2022.06.10

SAMPLE No:

8、CORD:

ISSUE	ZONE	DESCRIPTION	DATE	CHK	APPD																																																		
<p style="text-align: center;">1200mm</p> <p style="text-align: center;">10mm</p> <p style="text-align: center;">Φ5.50MM</p> <p style="text-align: center;">Φ2.10MM</p> <p style="text-align: center;">DC 5.5*2.1*10 普义沟黑胶</p> <p style="text-align: center;">5.00</p> <p style="text-align: center;">7.00</p> <p style="text-align: center;">SR:5*7MM</p> <p style="text-align: center;">红</p> <p style="text-align: center;">黑</p> <p style="text-align: center;">-</p> <p style="text-align: center;">+</p>																																																							
<p>印字内容: AWM E471769 2464 20AWG VW-1 80°C 300V CSA AWM I A 80°C 300V FT1 -F- HAIXINDA REACH</p> <p>技术要求</p> <ol style="list-style-type: none"> 1. 外皮黑色, 长度1200mm±50mm。 2. 导电线芯红色. 黑色; 标准20AWG。 3. SR要求: 5*7mm, 扎线要求如图所示。 																																																							
<p style="text-align: center;">80±10</p> <p style="text-align: center;">黑色扎带</p>																																																							
<table border="1" style="width:100%; border-collapse: collapse;"> <tr> <td colspan="2">EDITION</td> <td colspan="2">DATE</td> <td colspan="2">DESCRIPTION</td> <td colspan="2">NAME</td> <td colspan="2">MODEL :</td> </tr> <tr> <td colspan="2">PART NO. :ENG-DRA-</td> <td colspan="2">WEIGHT</td> <td colspan="2">1</td> <td colspan="2">DRA NO.</td> <td colspan="2">DESCRIPTION :</td> </tr> <tr> <td colspan="2">MATERIAL :</td> <td colspan="2">EDITION</td> <td colspan="2">1</td> <td colspan="2">DRA BY</td> <td colspan="2">DATE :</td> </tr> <tr> <td colspan="2">FINISH :</td> <td colspan="2">SCALE</td> <td colspan="2">N.T.S</td> <td colspan="2">CHK BY</td> <td colspan="2">DATE :</td> </tr> <tr> <td colspan="2">FILE ROAD : D:\</td> <td colspan="2"></td> <td colspan="2"></td> <td colspan="2">APPD BY</td> <td colspan="2">DATE :</td> </tr> </table>						EDITION		DATE		DESCRIPTION		NAME		MODEL :		PART NO. :ENG-DRA-		WEIGHT		1		DRA NO.		DESCRIPTION :		MATERIAL :		EDITION		1		DRA BY		DATE :		FINISH :		SCALE		N.T.S		CHK BY		DATE :		FILE ROAD : D:\						APPD BY		DATE :	
EDITION		DATE		DESCRIPTION		NAME		MODEL :																																															
PART NO. :ENG-DRA-		WEIGHT		1		DRA NO.		DESCRIPTION :																																															
MATERIAL :		EDITION		1		DRA BY		DATE :																																															
FINISH :		SCALE		N.T.S		CHK BY		DATE :																																															
FILE ROAD : D:\						APPD BY		DATE :																																															

ICbanQ Inc.

Tel:82-070-7019-3947 Email:Tommy@icbanq.com

Our model:BSG-60W1205000

Customer:

Date:2022.06.10

SAMPLE No:

9、LABEL:

전기공급의표시사항

제품명: AC/DC ADAPTER

모델명:BSG-60W1205000

정격 입력: 220V~60Hz 1.5A

정격 출력: 12V = 5A

제조사:

SHENZHEN
TECHNOLOGY CO., LTD

MSIP-REM-BxG-BSG-60W1205000



HU10584-16011

MADE IN CHINA

ICbanQ Inc.

Tel:82-070-7019-3947 Email:Tommy@icbanq.com

Our model:BSG-60W1205000

Customer:

Date:2022.06.10

SAMPLE No:

10、/PACKING: 50pcs

