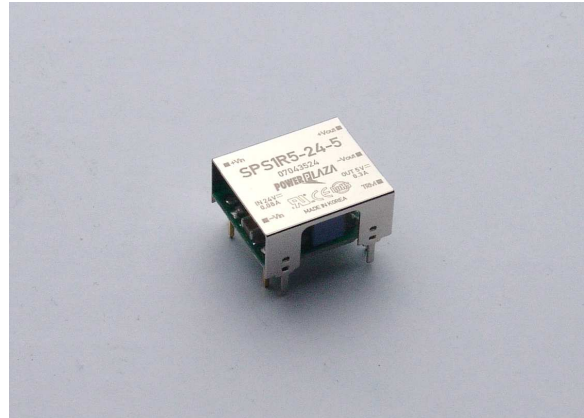


## SPS1R5-24 Series –small size isolated DC/DC converters

### Features

- High Efficiency
- Wide operating temperature range  
( -40°C to +85°C )
- Wide 2:1 input range
- Dimensions 18.50 x 8.50 x 16.0 (mm)
- Built-in over current protection circuit
- Input – Output Isolated
- Remote on/off control
- Long Life Design
- Trimmable output voltage(single output)
- Open case type  
( employ only ceramic capacitor)
- Safety agency approval  
UL (UL 60950-1,CSA C22.2 NO.60950-1):  
E227474  
CE (EN 60950) through TÜV
- **RoHS directive**



### Applications

- Telecommunication
- Datacom
- Instrumentation/ Equipments
- Distributed Power Systems

### Description

SPS Series is an isolated DC/DC converter offering designers low cost and space-efficient solution, Remote on/off, precisely regulated, over current protection.

The -40°C to 85°C operating temperature range makes the SPS series ideal for mixed analog/digital Subsystems, data communication equipments, distributed power systems. They are an excellent choice for both new design-information network system and upgrading older systems

**SPS1R5 Series – Isolated DC/DC Converters**  
18 – 36Vdc Input, Maximum Power: 1.5WDataSheet  
Oct 15, 2007**Absolute Maximum Ratings**

Parameter	Min	Typ	Max	Unit	Notes
Input Voltage Continuous	18	-	36	Vdc	
Operating Ambient Temperature	-40	-	85	°C	
Storage Temperature	-40	-	105	°C	
I/O Isolation Voltage	-	-	500	VAC	

Stresses in excess of the absolute maximum ratings can cause permanent damage to the device

**Electrical Specifications****Input Characteristics**

Parameter	Symbol	Min	Typ	Max	Unit
Operating voltage Range		18		36	Vdc
Maximum Input current (At nominal input voltage and Maximum Output Power)	lin		0.075		A
No load input current					
SPS1R5-24-3R3			9		mA
SPS1R5-24-5			8.7		mA
SPS1R5-24-12			8.5		mA
SPS1R5-24-15			1		mA
SPD1R5-24-1212			9		mA
SPD1R5-24-1515			12		mA

**SPS1R5 Series – Isolated DC/DC Converters**  
 18 – 36Vdc Input, Maximum Power: 1.5W

 DataSheet  
 Oct 15, 2007

**Output Characteristics**

 T<sub>A</sub> = +25°C, V<sub>in</sub> = 18 ~ 36V unless otherwise specified

Parameter	Symbol	Min	Typ	Max	Unit
Output Voltage tolerance	V <sub>o</sub>	-	-	±2	%
Output Current	I <sub>o</sub>				
SPS1R5-24-3R3				0.4	A
SPS1R5-24-5				0.3	A
SPS1R5-24-12				0.13	A
SPS1R5-24-15				0.1	A
SPD1R5-24-1212				65	mA
SPD1R5-24-1515				50	mA
Output Regulation;					
- Line Regulation (From minimum input voltage to maximum input voltage, constant load)		-	-	±0.5	%
- Load Regulation (From no load to maximum load)		-	-	±1	%
Output Current Limit (Automatic recovery)		>105			%
Output Ripple and noise (V <sub>in</sub> = 24V, and I <sub>o</sub> = Max output current Bandwidth 20MHz, 1uF Ceramic cap)	mVp-p	-	-	1% of Output Voltage	mV
Efficiency					
SPS1R5-24-3R3			73		%
SPS1R5-24-5			78		%
SPS1R5-24-12			81		%
SPS1R5-24-15			81		%
SPD1R5-24-1212			80		%
SPD1R5-24-1515			80		%
(100% of max I <sub>o</sub> , V <sub>in</sub> = 24V)					

**SPS1R5 Series – Isolated DC/DC Converters**  
 18 – 36Vdc Input, Maximum Power: 1.5W

 DataSheet  
 Oct 15, 2007

Dynamic Load Response (1uF Ceramic 50% to 100 %, 100% to 50%, Tr = 100uS)				±3% of Output Voltage	mV
Start – Up Time		-	-	10	ms
Turn – on overshoot		-	-	5	%
Maximum output capacitance					μF

### Isolation Specifications

Parameter	Symbol	Min	Typ	Max	Unit
I/O Isolation Voltage (AC500V, 1 Min) - Input-Output: - Input-Case: - Output-case:			-	500	VAC
Isolation Resistance - Output-Case (at DC500V at 25°C And 70%RH for 1 min)	Riso	>100	-	-	MΩ
Isolation Capacitance	Ciso				pF

### General Specifications

Parameter	Symbol	Min	Typ	Max	Unit
Switching Frequency			-		KHz
Remote ON/OFF control - Positive Logic On = short to - Vin Off = open					Vdc

**SPS1R5 Series – Isolated DC/DC Converters**  
18 – 36Vdc Input, Maximum Power: 1.5WDataSheet  
Oct 15, 2007

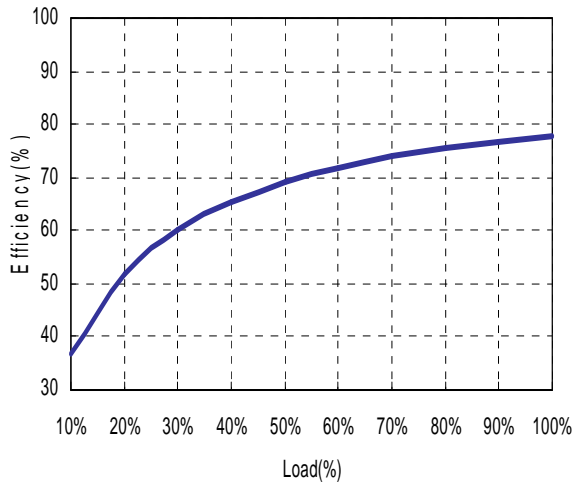
Output voltage trim range			±10		%
MTBF		9x10 <sup>5</sup>			hrs
Dimensions (W.H.L)		18.50 x8.50 x 16.0			mm
Weight		-	3.3	-	Grams

**Environmental**

Parameter	Symbol	Min	Typ	Max	Unit
Operating Temperature		-40		85	°C
Operating Humidity (RH non-condensing)		5		95	%
Storage Temperature		-40		105	°C

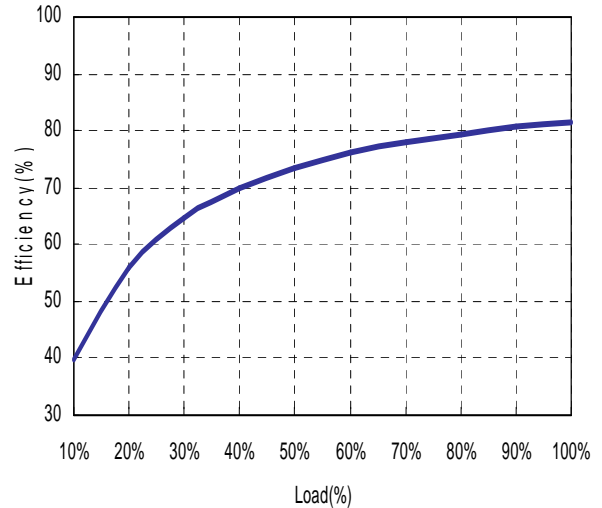
**Characteristic Curves**  
**Efficiency Curves**

**- SPS1R5-24-5 -**



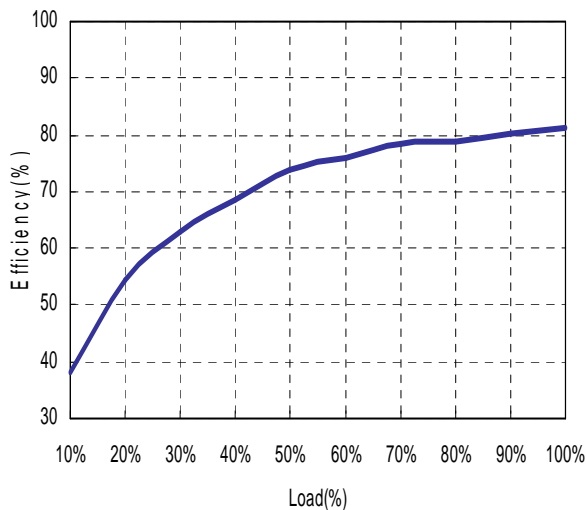
Vin=24V, Vo=5V@0.3A , At 25°C

**- SPS1R5-24-12-**



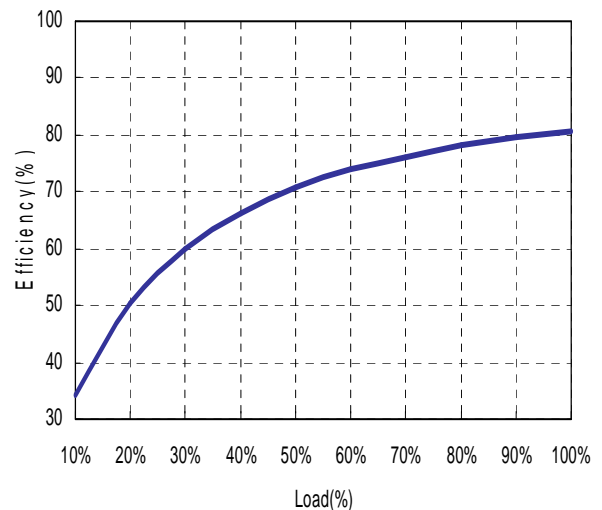
Vin=24V, Vo=12V@0.13A , At 25°C

**- SPD1R5-24-1212 -**



Vin=24V, Vo=+12V,-12V@0.065A , At 25°C

**- SPD1R5-24-1515 -**



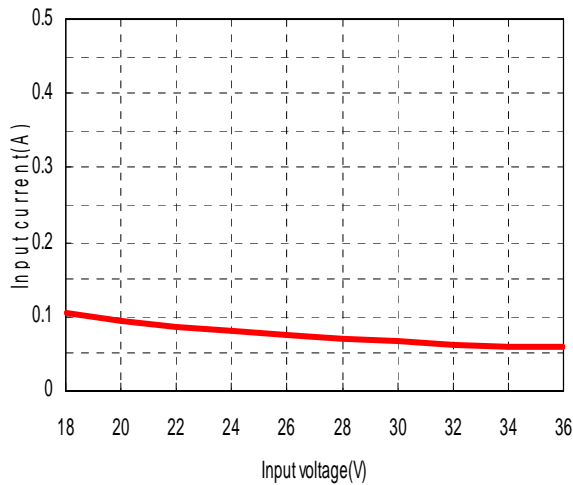
Vin=24V, Vo=+15V,-15V@0.050A , At 25°C

**SPS1R5 Series – Isolated DC/DC Converters**  
 18 – 36Vdc Input, Maximum Power: 1.5W

DataSheet  
 Oct 15, 2007

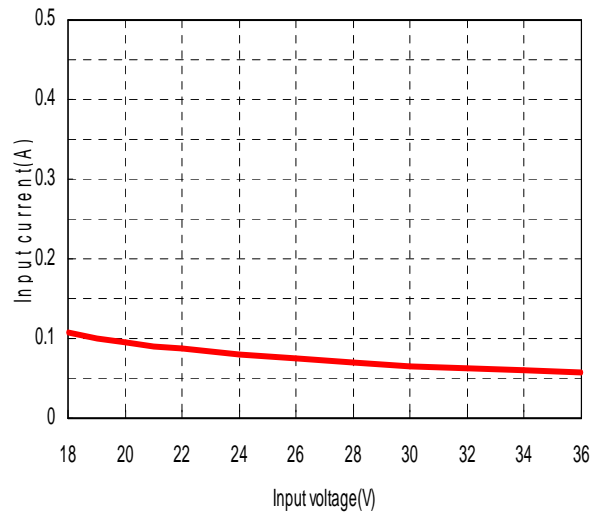
**Input Voltage vs Input Current**

**- SPS1R5-24-5 -**



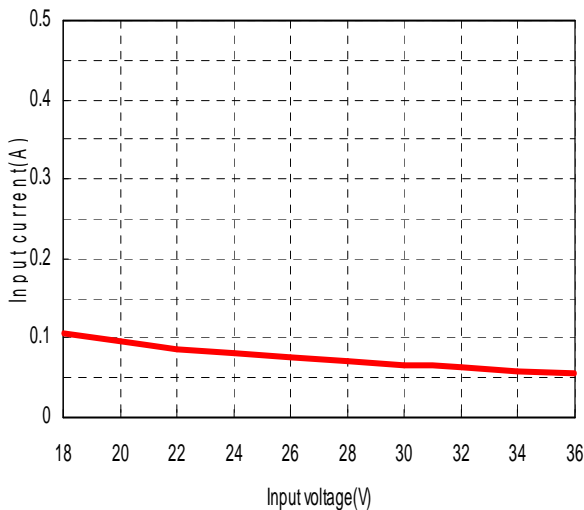
Vin=24V, Vo=5V@0.3A, At 25°C

**- SPS1R5-24-12 -**



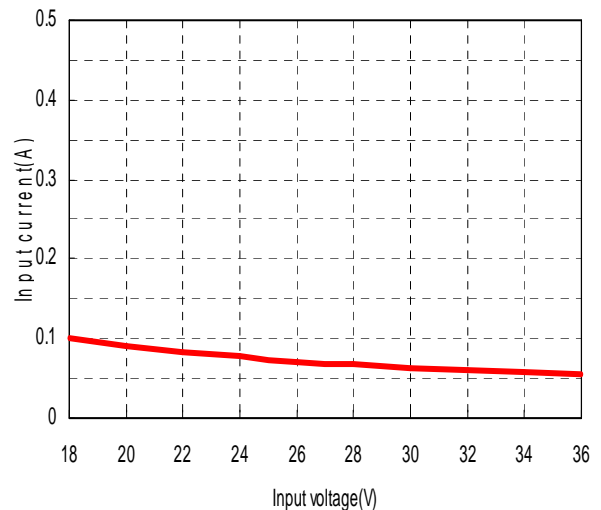
Vin=24V, Vo=12V@0.13A, At 25°C

**- SPD1R5-24-1212 -**



Vin=24V, Vo=+12V,-12V@0.065A, At 25°C

**- SPD1R5-24-1515 -**



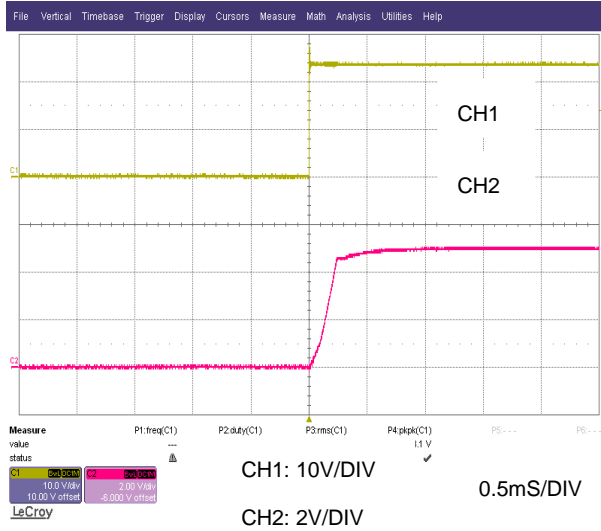
Vin=24V, Vo=+15V,-15V@0.050A, At 25°C

**SPS1R5 Series – Isolated DC/DC Converters**  
 18 – 36Vdc Input, Maximum Power: 1.5W

DataSheet  
 Oct 15, 2007

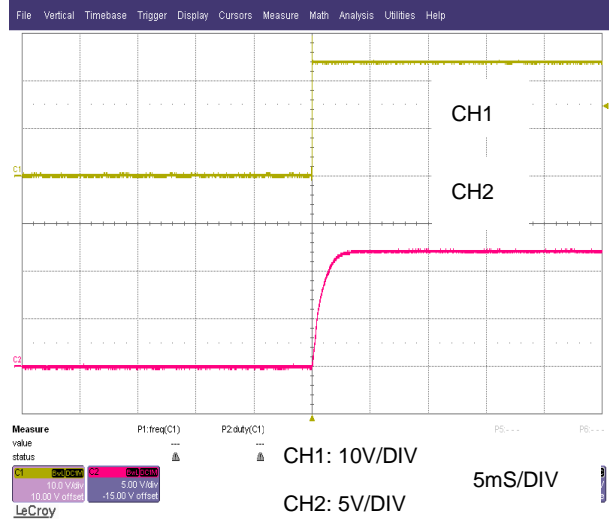
**Start-up from Vin**

**- SPS1R5-24-5 -**



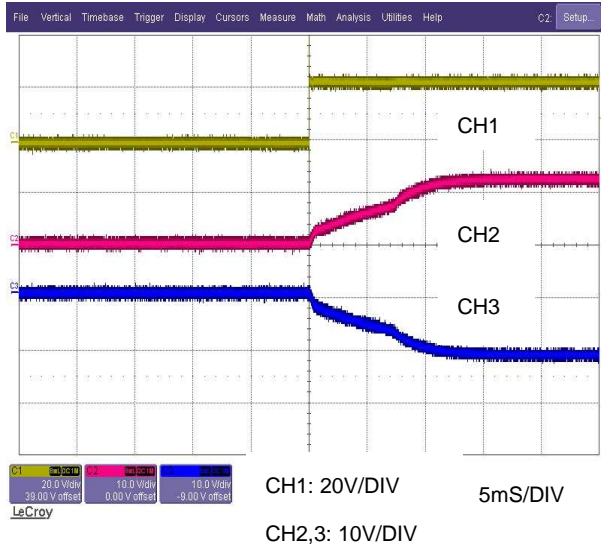
Vin=24V, Vo=5V@0.3A, At 25°C

**- SPS1R5-24-12 -**



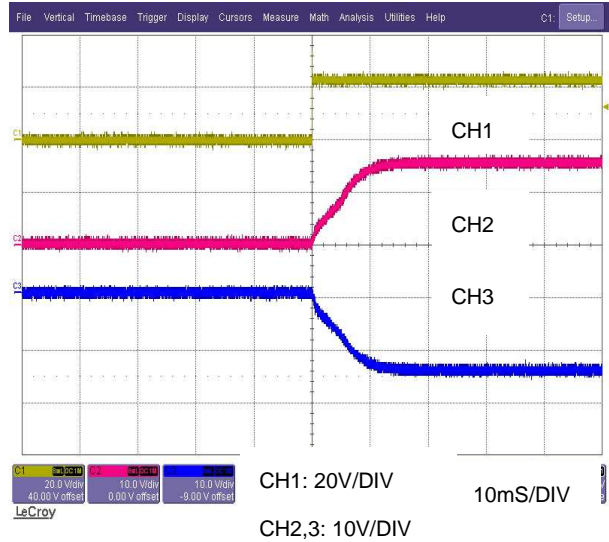
Vin=24V, Vo=12V@0.13A, At 25°C

**- SPD1R5-24-1212 -**



Vin = 24V, Vo=+12V,-12V@0.065A, At 25°C

**- SPD1R5-24-1515 -**



Vin = 24V, Vo=+15V,-15V@0.050A, At 25°C

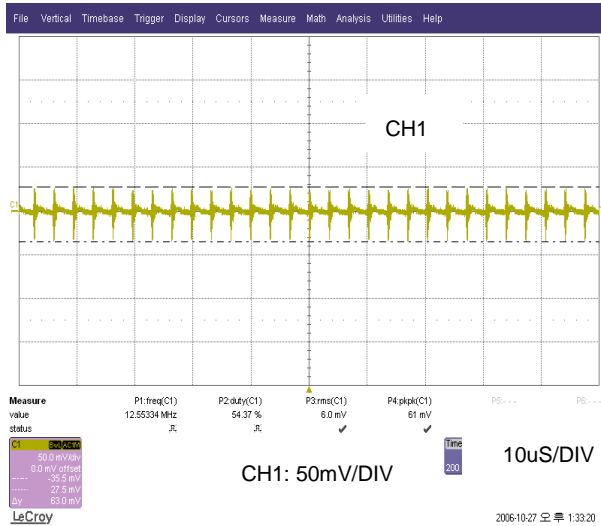


**SPS1R5 Series – Isolated DC/DC Converters**  
 18 – 36Vdc Input, Maximum Power: 1.5W

DataSheet  
 Oct 15, 2007

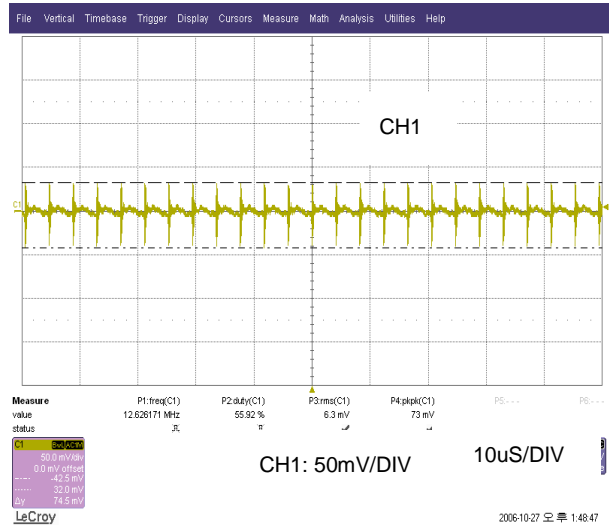
**Output Ripple/Noise**

**- SPS1R5-24-5 -**



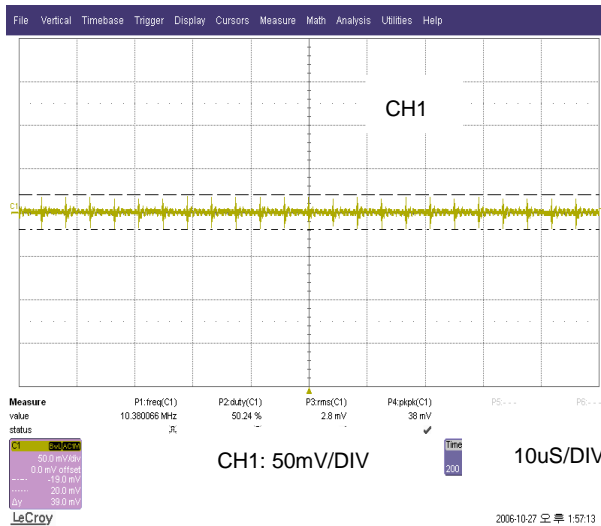
Vin=24V, Vo=5V@0.3A ,At 25°C

**- SPS1R5-24-12 -**



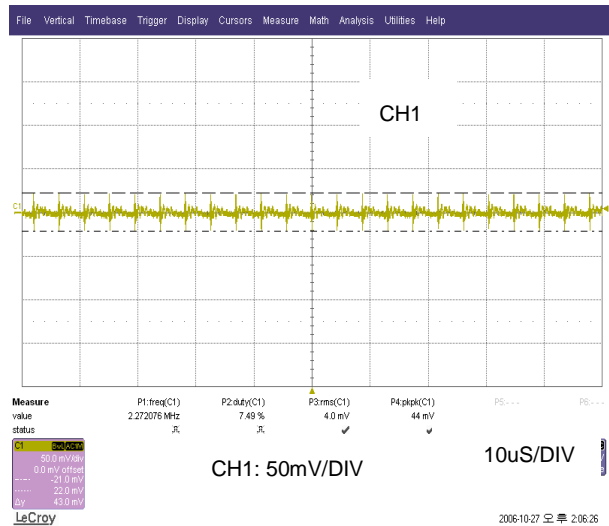
Vin=24V, Vo=12V@0.13A, At 25°C

**- SPD1R5-24-1212 -**



Vin = 24V, Vo=+12V,-12V@0.065A,At 25°C

**- SPD1R5-24-1515 -**



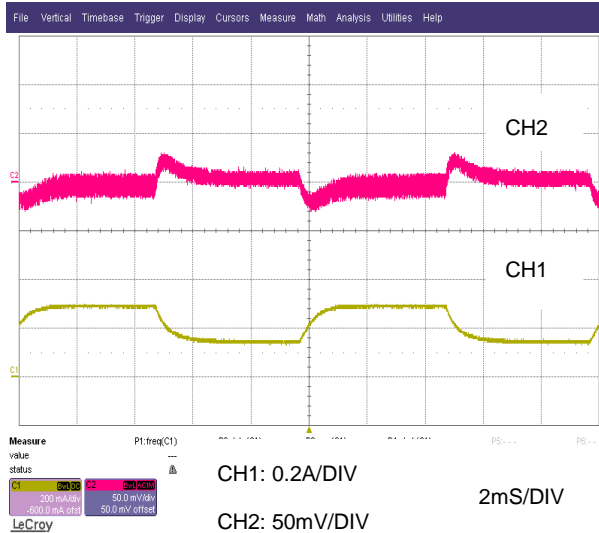
Vin = 24V, Vo=+15V,-15V@0.050A,At 25°C

**SPS1R5 Series – Isolated DC/DC Converters**  
 18 – 36Vdc Input, Maximum Power: 1.5W

DataSheet  
 Oct 15, 2007

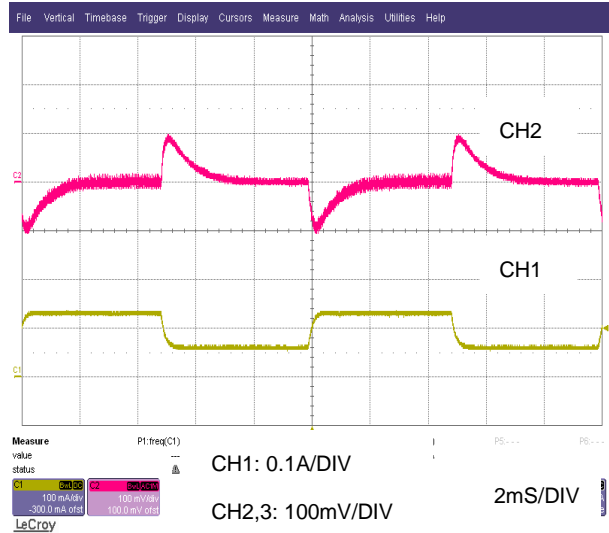
**Output Load Transient Response**

**- SPS1R5-24-5 -**



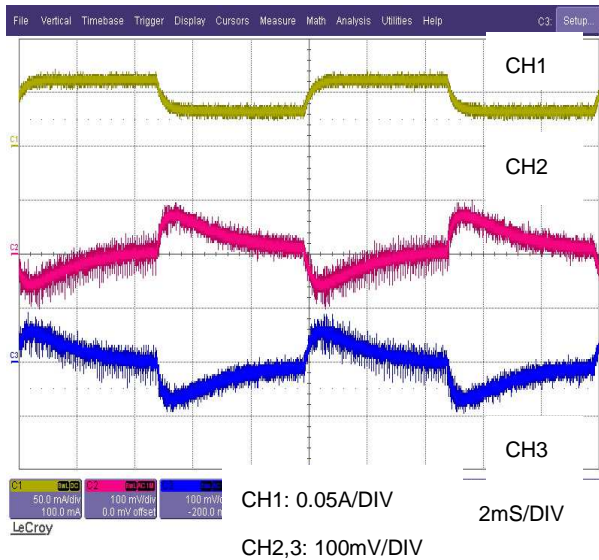
Vin=24V, Vo=5V@0.3A ,At 25°C

**- SPS1R5-24-12 -**



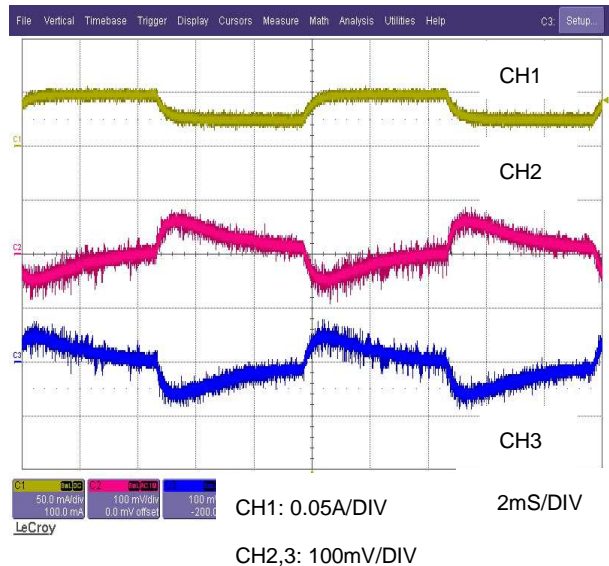
Vin=24V, Vo=12V@0.13A,At 25°C

**- SPD1R5-24-1212 -**



Vin = 24V, Vo=+12V,-12V@0.065A,At 25°C

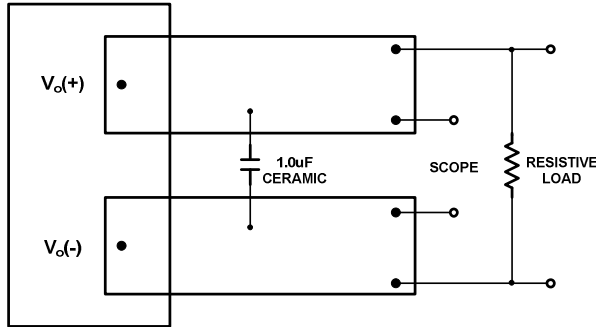
**- SPD1R5-24-1515 -**



Vin=24V, Vo=+15V,-15V@0.050A,At 25°C

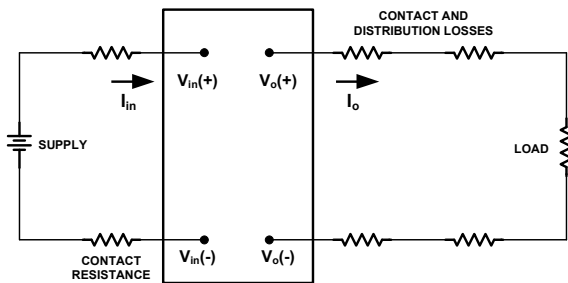
**TEST Configurations**

**Output ripple and noise Test**



\* Conductor from Vout-pins to capacitors = 50mm (1.97in)

**Output Voltage and Efficiency Test**



\*All measurements are taken at the module terminals when Socketing, place Kelvin connections at module terminals to Avoid measurement errors due to socket contact resistance

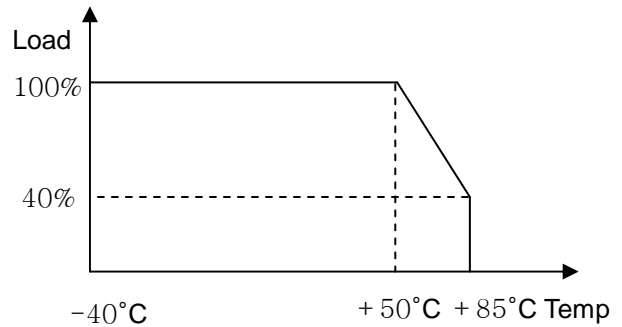
Efficiency

$$\eta = \left( \frac{[V_o(+)-V_o(-)] \times I_o}{[V_{in}(+)-V_{in}(-)] \times I_{in}} \right) \times 100\%$$

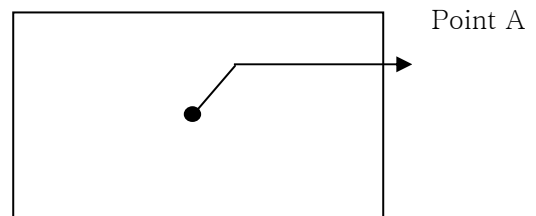
**Thermal Considerations**

SPS series has wide operating temperature range from -40°C to +85°C.

However, it should be required a enough air flow for more reliable operation. Output derating curve provide designers with a quantity of a current under the desired ambient temperature and velocity of a airflow



If the device is installed in a system, the device's temperature of point A should be checked if does not exceed specified temperature as below. Please make sure that the ambient temperature does not exceed 85°C.



Output	1.5W	3W	6W	10W
Temp	90°C	90°C	95°C	100°C

**SPS1R5 Series – Isolated DC/DC Converters**  
 18 – 36Vdc Input, Maximum Power: 1.5W

DataSheet  
 Oct 15, 2007

**Feature Description**

**Input Fuse**

In order to comply with safety requirements, SPS series has a fuse built in.

	5V	12V	24V	48V
SPS1R5	2A	1A	0.75A	0.75A
SPS3	3A	2.5A	1A	1A
SPS6	5A	2.5A	2A	1.5A
SPS10	6A	4A	2.5A	2A

**Remote ON/OFF Control (CNT)**

By using CNT pin you can control the output without turning the input power on or off.

If you need not this function short CNT

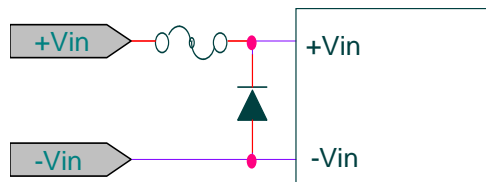
Pin to -Vin (Except 1.5W)

CNT Level for -Vin	OUTPUT
Open	OFF
Short	ON

**Input Reverse-polarity voltage protection**

Input reverse voltage protection has not built in this product.

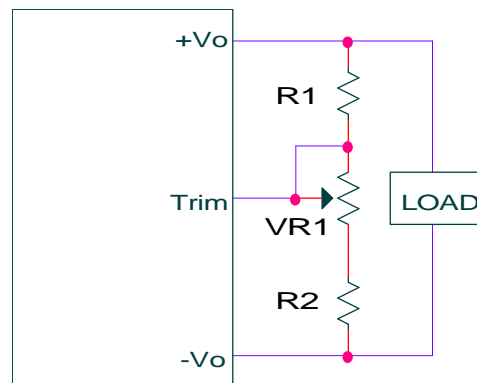
So, you can set up a circuit externally as described below if necessary



**Output voltage variation (Trim)**

Output Voltage adjusted by using trim pin within  $\pm 10\%$  of output voltage.

Use of trim function can cause the output power to increase, so you should not use beyond the SPS's specified output power rating



**Input Output Filter**

SPS series have an internal input filter. To minimize the ripple and noise of the input voltage, additional external capacitor is required (10uF ~ 680uF)

To reduce a output ripple and noise, external capacitor is required at the output of the device

Output voltage	VR	R1	R2
3.3V	500Ω	1kΩ	560Ω
5V	1kΩ	1kΩ	680Ω
12V	1kΩ	3.9kΩ	680Ω
15V	1kΩ	5.6k	750Ω

**SPS1R5 Series – Isolated DC/DC Converters**  
 18 – 36Vdc Input, Maximum Power: 1.5W

DataSheet  
 Oct 15, 2007

**Over current Protection(OCP)**

SPS series built in over current protection circuit Which operates when the output current is over 105% of rating and automatically recovers when over current condition is removed

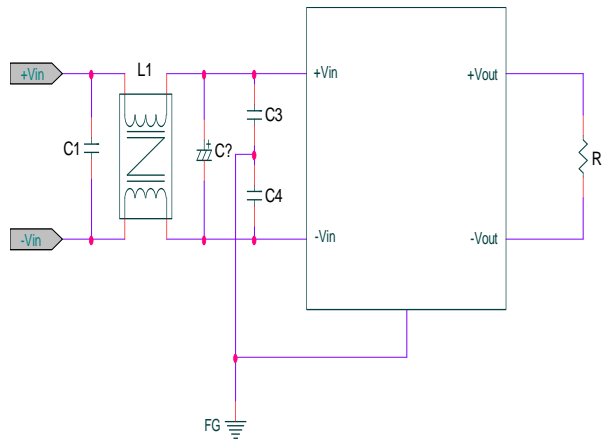
If load is connected to a inductive or constant current load such as lamp of motor, output may not start up.

**Over Voltage Protection(OVP)**

SPS series has not built in overvoltage protection circuit. So, you need to set up a circuit externally which can protect the over voltage if necessary.

**EMI Characteristic (conducted Emission)**

In order to reduce conducted noise install an external input filter as shown in below.

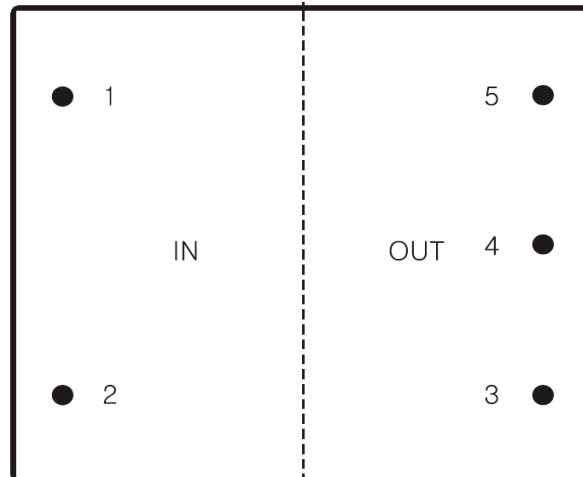


Model Number	L1	C1	C2	C3,C4
SPS1R5-5-5	0.5mH	22uF (MLCC)	220uF	472
SPS1R5-12-5	0.5mH	100uF (MLCC)	220uF	472
SPS1R5-24-5	1mH	22uF	220uF	472
SPS1R5-48-5	1mH	22uF	220uF	472

Complies with CISPR 22 CLASS B

**Soldering Information**

The product is intended for through hole mounting in a PCB, When wave soldering is used, the temperature on the pins is specified to maximum 260°C for maximum 10 seconds when hand soldering, care should be taken to avoid direct contact between the hot soldering iron tip and the pins for more than a few seconds in order to prevent overheating.

**SPS1R5 Series – Isolated DC/DC Converters**  
18 – 36Vdc Input, Maximum Power: 1.5WDataSheet  
Oct 15, 2007**Pin assignments****Single output**

PIN NO	NAME	FUNCTION
1	+Vin	Positive terminal for 24V
2	-Vin	Negative terminal for 24V
3	Trim	Output voltage variation
4	-Vout	Negative terminal for Vout
5	+Vout	Positive terminal for Vout

**Dual output**

PIN NO	NAME	FUNCTION
1	+Vin	Positive terminal for 24V
2	-Vin	Negative terminal for 24V
3	-Vout	Negative terminal for Vout
4	Com	
5	+Vout	Positive terminal for Vout



**SPS1R5 Series – Isolated DC/DC Converters**  
 18 – 36Vdc Input, Maximum Power: 1.5W

 DataSheet  
 Oct 15, 2007

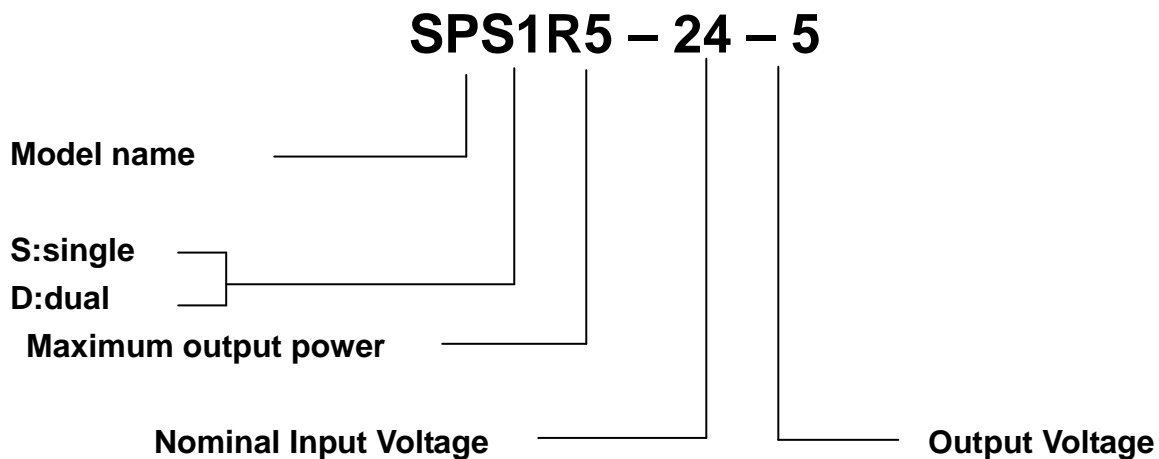
**Ordering Information**

Input	Output1, Output2	Maximum Power	Ripple & Noise Typ.	Efficiency Typ.	Model Number
4.5 - 9V	3.3V@0.4A	1.32W	50mVp-p	73%	SPS1R5-5-3R3
	5V@0.3A	1.5W	50mVp-p	78%	SPS1R5-5-5
	12V@0.13A	1.56W	120mVp-p	81%	SPS1R5-5-12
	15V@0.1A	1.5W	150mVp-p	81%	SPS1R5-5-15
	+12V@65mA, -12V@65mA	1.56W	120mVp-p	80%	SPD1R5-5-1212
	+15V@50mA, -15V@50mA	1.5W	150mVp-p	80%	SPD1R5-5-1515
9 – 18V	3.3V@0.4A	1.32W	50mVp-p	73%	SPS1R5-12-3R3
	5V@0.3A	1.5W	50mVp-p	78%	SPS1R5-12-5
	12V@0.13A	1.56W	120mVp-p	81%	SPS1R5-12-12
	15V@0.1A	1.5W	150mVp-p	81%	SPS1R5-12-15
	+12V@65mA, -12V@65mA	1.56W	120mVp-p	80%	SPD1R5-12-1212
	+15V@50mA, -15V@50mA	1.5W	150mVp-p	80%	SPD1R5-12-1515
18 – 36V	3.3V@0.4A	1.32W	50mVp-p	73%	SPS1R5-24-3R3
	5V@0.3A	1.5W	50mVp-p	78%	SPS1R5-24-5
	12V@0.13A	1.56W	120mVp-p	81%	SPS1R5-24-12
	15V@0.1A	1.5W	150mVp-p	81%	SPS1R5-24-15
	+12V@65mA, -12V@65mA	1.56W	120mVp-p	80%	SPD1R5-24-1212
	+15V@50mA, -15V@50mA	1.5W	150mVp-p	80%	SPD1R5-24-1515
36 – 76V	3.3V@0.4A	1.32W	70mVp-p	73%	SPS1R5-48-3R3
	5V@0.3A	1.5W	70mVp-p	78%	SPS1R5-48-5
	12V@0.13A	1.56W	120mVp-p	80%	SPS1R5-48-12
	15V@0.1A	1.5W	150mVp-p	80%	SPS1R5-48-15
	+12V@65mA, -12V@65mA	1.56W	120mVp-p	80%	SPD1R5-48-1212



**SPS1R5 Series – Isolated DC/DC Converters**  
18 – 36Vdc Input, Maximum Power: 1.5WDataSheet  
Oct 15, 2007

	+15V@50mA, -15V@50mA	1.5W	150mVp-p	80%	SPD1R5-48-1515
--	-------------------------	------	----------	-----	----------------

**Part number structure**

No part of this publication may be copied, transmitted, or stored in a retrieval system or reproduced in any way including, but not limited to, photography, photocopy, or Other recording means, without prior written permission from Powerplaza co.,Ltd

**HEAD OFFICE & FACTORY**

#1402, 14F/L 6th Daeryung TechnoTown 493-6,  
Gasam-Dong, Kumchon-Gu, Seoul, 153-774,  
Korea

TEL: +82 2 855 4955 | FAX: +82 2 855 4954

**GENERAL SALES INQUIRIES**

Please feel free to

contact : [sales@powerplaza.co.kr](mailto:sales@powerplaza.co.kr)

©2007 Powerplaza co.,Ltd. Specification subject to change without notice